

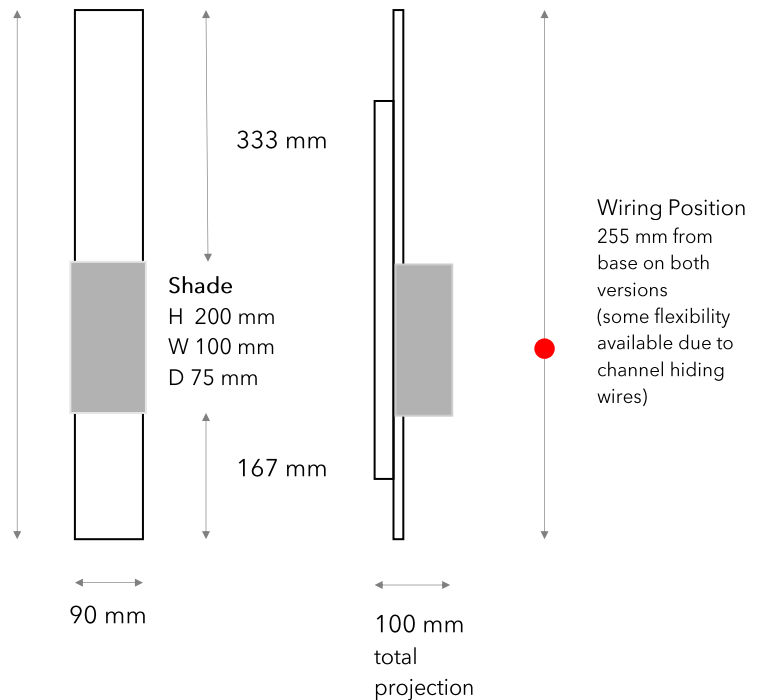
J'aimes wall light

Designed by Hannah Woodhouse ©



The J'aimes wall light not only provides illumination but is a beautiful sculpture. Each piece is handmade by Hannah Woodhouse, whose signature processes make every light a unique object.

700 mm (flat finish)
670 mm (textured finish)



J'aimes Wall Light



Faux
Bronze
powder
grey

Faux
Bronze
warm
brown

Faux
Bronze
grey

Front view

Side view

Model	J'aimes
Dimensions	H 700 mm (flat finish) x 90 mm x 100 mm projection H 670 mm (textured finish) x 90 mm x 100 mm projection
Footprint	H. 500 mm x W. 50 mm
Wall Bracket	H. 150 mm x W. 20 mm
Material	Hand finished wood and bio resin with paper wrapped acrylic shade
Finish	Faux bronze: powder grey; warm brown; grey (custom finishes also available)
Shade	Hand made paper from eucalyptus pulp/fibres backed onto acrylic.
Approx weight	3 kg
Recommended bulb	2 x dimmable G9 LED bulbs, 3W warm white (3000 K–360 lumens)
IP rating	IP 20 (interior use) as standard
Recommended usage	In hallways, staircases, reception rooms, bedrooms, living and dining rooms.
Manufactured	London
Delivery time	6 weeks for standard items
Note	Each wall light is hand painted so slight variations in finish can be expected